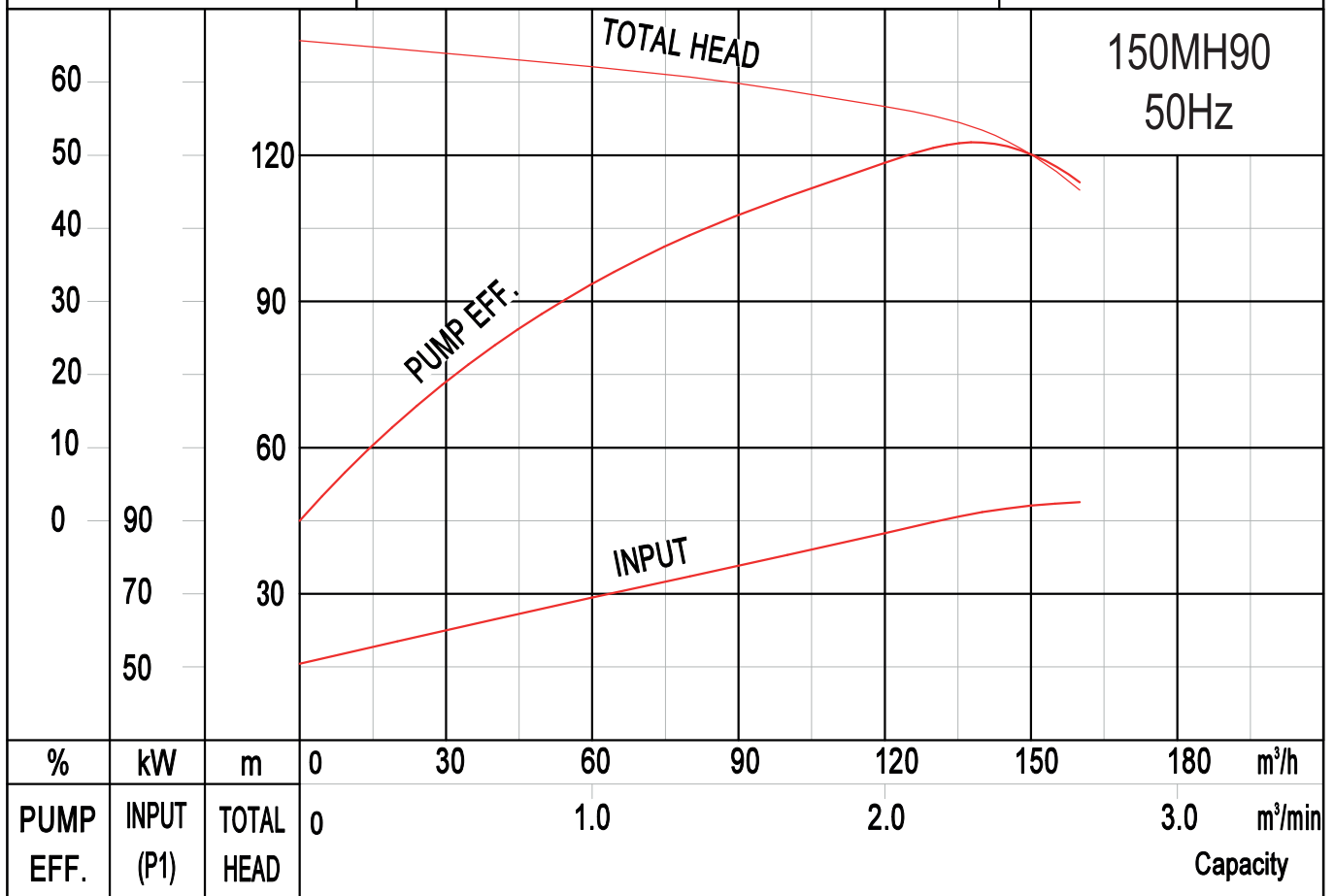


PUMP PERFORMANCE CURVES

TYPE: SUBMERSIBLE PUMP		MODEL: 150MH90	FREQUENCY: 50Hz
STANDARD SPECIFICATIONS			
DISCHARGE BORE	150 mm		
HEAD	Max: 145 m	Rated: 130 m	
CAPACITY	Max: 2.7 m ³ /min	Rated: 2.0 m ³ /min	
MOTOR OUTPUT	90 kW		
PHASE x VOLTAGE	3 Øx 400 V		
CURRENT	162 A		
POLES/REVOLUTION	2 P/ S.S.2850 min ⁻¹		
STARTING METHOD	Star-Delta start		
INSULATION CLASS	F		



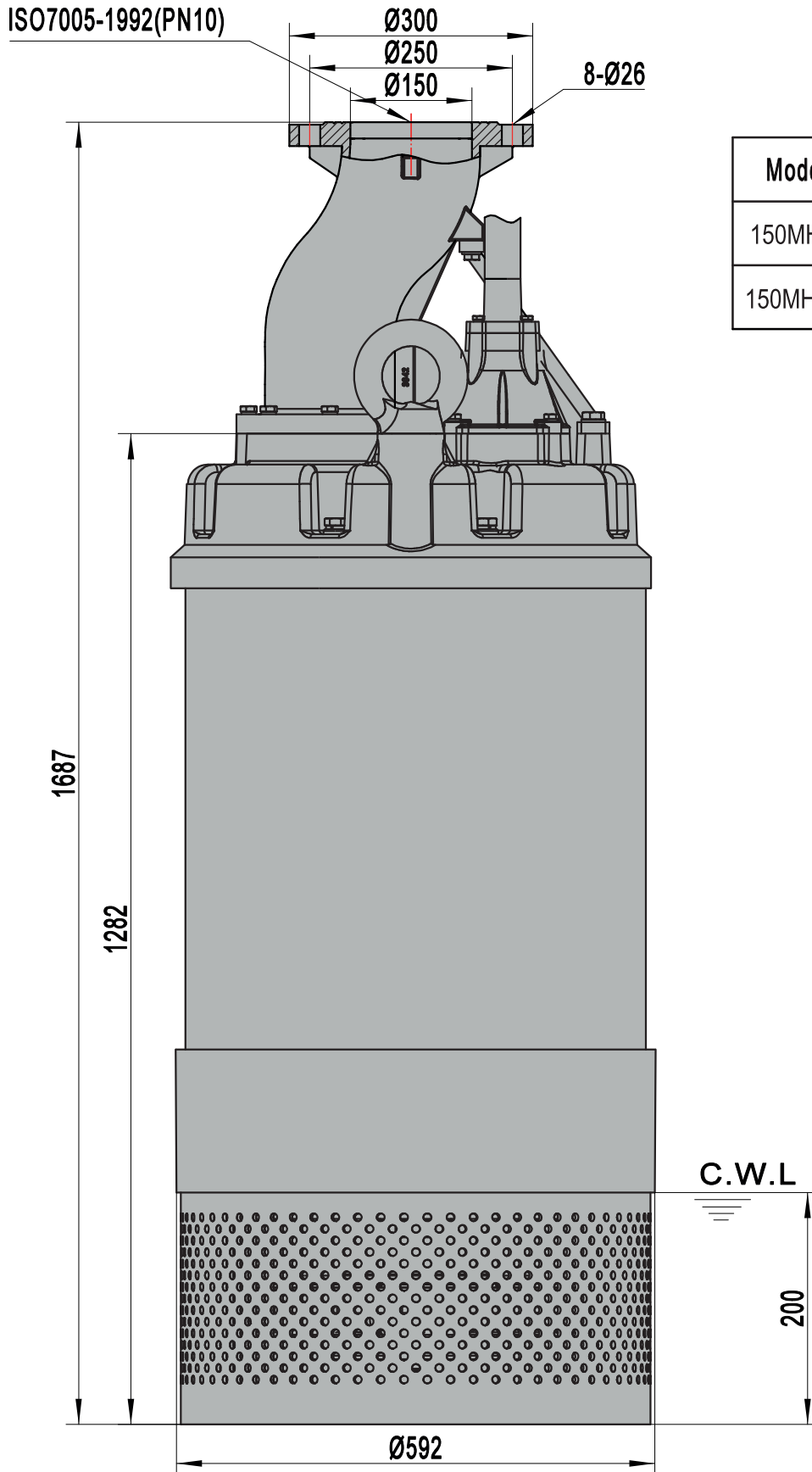
All rights reserved. This file are not allowed to be copied all or partialy without permission.

SOLIDPUMP EUROPE SIA

DIMENSION DRAWING

TYPE: SUBMERSIBLE DRAINAGE PUMP(HIGH HEAD)

MODEL: 150MH90, 150MH110



Model	N.W(kg)
150MH90	1100
150MH110	1130

C.W.L:Continuous Running Water Level.

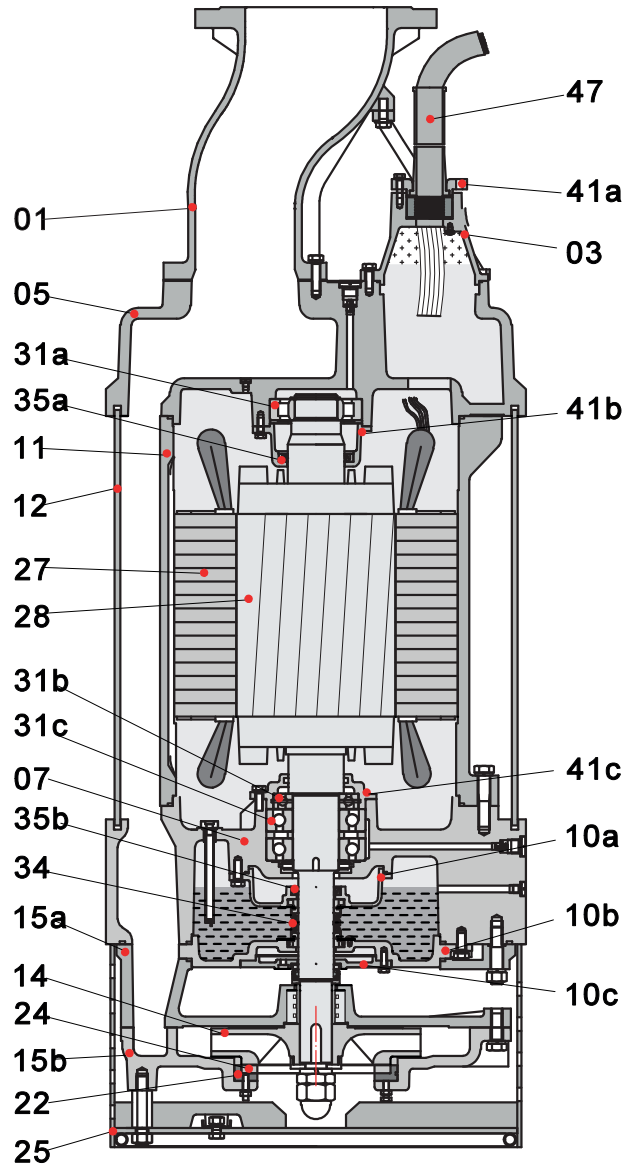
All rights reserved. This file are not allowed to be copied all or partialy without permission.

SOLIDPUMP EUROPE SIA

SECTIONAL DRAWING

TYPE: SUBMERSIBLE DRAINAGE PUMP(HIGH HEAD)

MODEL: MH 90-110 kW



Item No.	Part name	Material	Item No.	Part name	Material
01	Hose coupling	Ductile iron	25	Strainer	AISI304SS
03	Terminal box	Cast iron	27	Stator	
05	Upper cover	Cast iron	28	Rotor	Shaft:AISI420SS
07	Bearing house	Cast iron	31a	Bearing	Cylindrical roller bearing
10a	Seal bracket	Cast iron	31b	Bearing	Angular contact bearing
10b	Seal bracket	Cast iron	31c	Bearing	Angular contact bearing
10c	Seal bracket	Cast iron	34a	Mechanical seal	Tc-Sic/Sic-Sic
11	Motor body	Cast iron	34b	Mechanical seal	Sic-Sic
12	Outer casing	Steel	35a	Oil seal	
14	Impeller	High chrome alloy	35b	Oil seal	
15a	Diffuser	Cast iron	41a	Shim	Cast iron
15b	Diffuser	Ductile iron	41b	Shim	Cast iron
22	Seat assembly	Cast iron	41c	Shim	Cast iron
24	Neck ring	High chrome alloy	47	Cable	

All rights reserved. This file are not allowed to be copied all or partialy without permission.

SOLIDPUMP EUROPE SIA